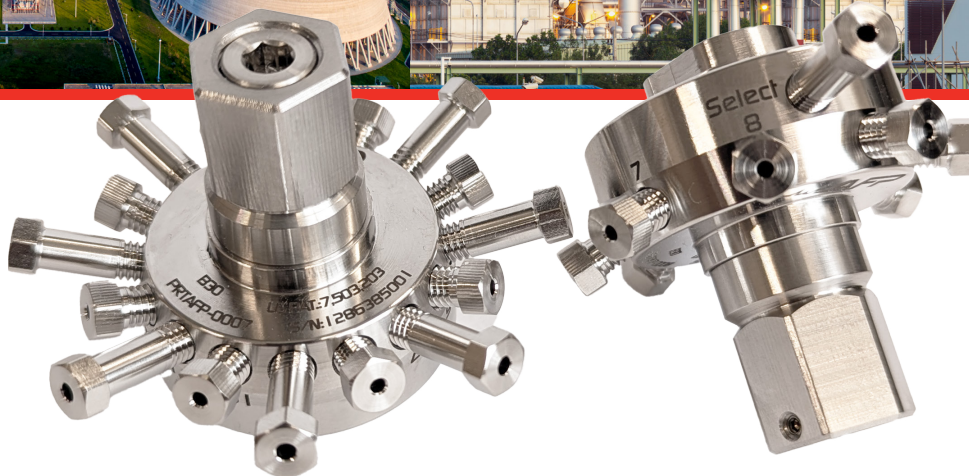


# Stream Selection Rotary Valves (RSV)

In modern gas chromatography (GC), analytical accuracy and system efficiency depend heavily on precise control of multiple sample streams. Stream selection rotary valves play a critical role by enabling automated, repeatable switching between numerous gas sources without compromising sample integrity or flow stability. By minimizing dead volume, preventing cross-contamination, and maintaining consistent pressure and flow characteristics, these valves ensure reliable data quality even in complex, multi-stream GC applications. Robust stream selection rotary valve design not only enhances throughput and uptime, but also simplifies system architecture—making it an essential component for laboratories and process environments that demand accuracy, reliability, and long-term performance.

[www.afplifesciences.com](http://www.afplifesciences.com)





## Stream selection rotary valve series – RSV-SD (Dead End)

AFP now offers Stream Selector Rotary Valves (RSV) featuring Nitronic® 60 valve bodies paired with AFP's R2 rotor, engineered from a PEEK/PTFE composite. Initial configurations are available in a standard dead-end design, allowing one selected flow path while all remaining ports are blocked.

The RSV-SD series is compatible with inert coatings, making it well suited for demanding applications. Stream selection rotary valves require a multi-communication electronic actuator (MEA-2100) for operation.

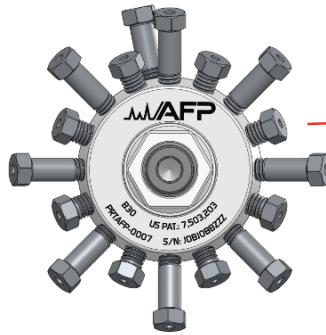
### Key Features:

- Stator material – Nitronic 60 alloy resists wear and galling
- Rotor material – PEEK/PTFE AFP R2 rotors preserve sample integrity at 400 psi and up to 225 °C
- Every valve is leak-tested prior to shipment at no additional cost.
- Inert coating such as Dursan®
- Number of streams: 4 to 16.
- Port Size: 0.030" with 1/16" port connection.



# Stream selection rotary valve series – RSV-SD (Dead End)

## Key Design Features (16 stream model)

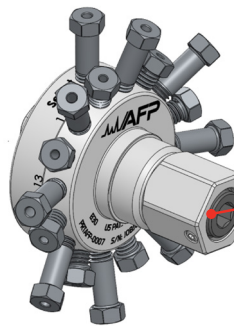


Short + long screws for easier tube installation

Compatible with competitor Stand offs

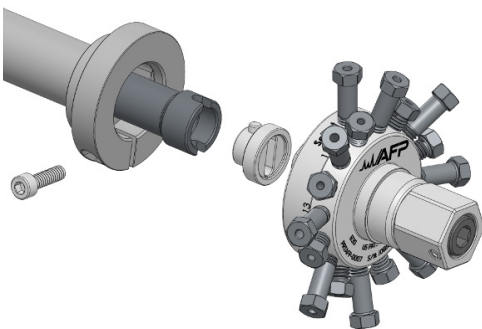
Laser marking for stream identification

Alignment feature on valve for correct installation on Standoff

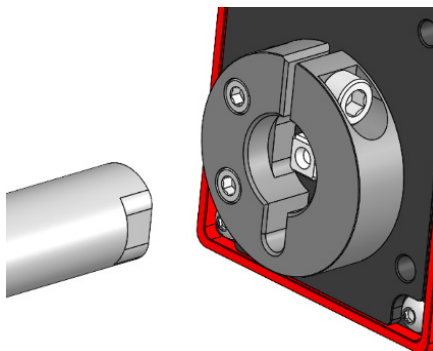


New preload design compatible with standard hex keys for easier maintenance

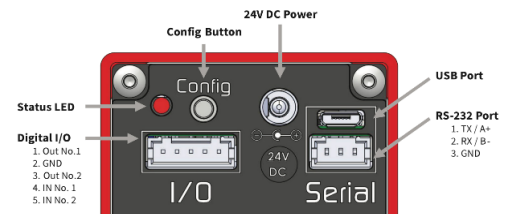
## Key Design Features (16 stream model)



New Stand off designed for stream selector valves (no stoppers)



Double D feature for easy alignment of valve and actuator.



## Ordering Information

### Stream Selector Valves, 4 Streams

| Description   | Part No.            |
|---|---------------------|
| Stream Selector Valve, dead end, 4 streams, R2, N60, Replacement Valve            | RVS04-SD-16R2-01-00 |
| Stream Selector Valve, dead end, 4 streams, R2, N60, MEA + STO-2"                 | RVS04-SD-16R2-01-2I |
| Stream Selector Valve, dead end, 4 streams, R2, N60, MEA + STO-3"                 | RVS04-SD-16R2-01-3I |
| Stream Selector Valve, dead end, 4 streams, R2, N60, MEA + STO-4"                 | RVS04-SD-16R2-01-4I |
| Stream Selector Valve, dead end, 4 streams, R2, Dursan coating, Replacement Valve | RVS04-SD-16R2-02-00 |
| Stream Selector Valve, dead end, 4 streams, R2, Dursan coating, MEA + STO-2"      | RVS04-SD-16R2-02-2I |
| Stream Selector Valve, dead end, 4 streams, R2, Dursan coating, MEA + STO-3"      | RVS04-SD-16R2-02-3I |
| Stream Selector Valve, dead end, 4 streams, R2, Dursan coating, MEA + STO-4"      | RVS04-SD-16R2-02-4I |
| Spare Rotor, Stream Selector Valve, dead end, 4 streams R2                        | RVS-ROTSD-R2-04     |

### Stream Selector Valves, 8 Streams

| Description   | Part No.            |
|---|---------------------|
| Stream Selector Valve, dead end, 8 streams, R2, N60, Replacement Valve            | RVS08-SD-16R2-01-00 |
| Stream Selector Valve, dead end, 8 streams, R2, N60, MEA + STO-2"                 | RVS08-SD-16R2-01-2I |
| Stream Selector Valve, dead end, 8 streams, R2, N60, MEA + STO-3"                 | RVS08-SD-16R2-01-3I |
| Stream Selector Valve, dead end, 8 streams, R2, N60, MEA + STO-4"                 | RVS08-SD-16R2-01-4I |
| Stream Selector Valve, dead end, 8 streams, R2, Dursan coating, Replacement Valve | RVS08-SD-16R2-02-00 |
| Stream Selector Valve, dead end, 8 streams, R2, Dursan coating, MEA + STO-2"      | RVS08-SD-16R2-02-2I |
| Stream Selector Valve, dead end, 8 streams, R2, Dursan coating, MEA + STO-3"      | RVS08-SD-16R2-02-3I |
| Stream Selector Valve, dead end, 8 streams, R2, Dursan coating, MEA + STO-4"      | RVS08-SD-16R2-02-4I |
| Spare Rotor, Stream Selector Valve, dead end, 8 streams R2                        | RVS-ROTSD-R2-08     |

### Stream Selector Valves, 16 Streams

| Description  | Part No.            |
|--|---------------------|
| Stream Selector Valve, dead end, 16 streams, R2, N60, Replacement Valve            | RVS16-SD-16R2-01-00 |
| Stream Selector Valve, dead end, 16 streams, R2, N60, MEA + STO-2"                 | RVS16-SD-16R2-01-2I |
| Stream Selector Valve, dead end, 16 streams, R2, N60, MEA + STO-3"                 | RVS16-SD-16R2-01-3I |
| Stream Selector Valve, dead end, 16 streams, R2, N60, MEA + STO-4"                 | RVS16-SD-16R2-01-4I |
| Stream Selector Valve, dead end, 16 streams, R2, Dursan coating, Replacement Valve | RVS16-SD-16R2-02-00 |
| Stream Selector Valve, dead end, 16 streams, R2, Dursan coating, MEA + STO-2"      | RVS16-SD-16R2-02-2I |
| Stream Selector Valve, dead end, 16 streams, R2, Dursan coating, MEA + STO-3"      | RVS16-SD-16R2-02-3I |
| Stream Selector Valve, dead end, 16 streams, R2, Dursan coating, MEA + STO-4"      | RVS16-SD-16R2-02-4I |
| Spare Rotor, Stream Selector Valve, dead end, 16 streams R2                        | RVS-ROTSD-R2-16     |

## Ordering Information

### Spare Parts MEA

| Description  | Part No.    |
|--|-------------|
| MEA-2100 replacement with USB cable - No Stand off / power supply    | MEA-2100-00 |
| MEA-2100 replacement with RS-232 cable - No Stand off / power supply | MEA-2100-01 |
| MEA-2100 replacement with RS-485 cable - No Stand off / power supply | MEA-2100-02 |

### Accessories

| Description                           | Part No.       |
|---------------------------------------|----------------|
| Power supply for MEA-2100             | EA00-9010-1050 |
| RS-232 cable                          | EA00-9010-1020 |
| RS-485 cable                          | EA00-9010-1030 |
| North America power supply cable 120V | EA00-9010-1000 |

### Stand Off Kits

| Description   | Part No.  |
|---|-----------|
| 2" Standoff Kit for MEA-2100, doubleD Shape                   | STO-07    |
| 3" Standoff Kit for MEA-2100, doubleD Shape                   | STO-08    |
| 4" Standoff Kit for MEA-2100, doubleD Shape                   | STO-09    |
| 2" Standoff Kit for MEA-2100, doubleD Shape - VICI compatible | STO-VS-07 |

## AFP: Precision Manufacturing for the Highest-Quality, Ultra-Reliable Valves

AFP's manufacturing capabilities produce high-quality, ultra-reliable rotary valves, diaphragm valves, and accessories that minimize leaks and downtime in chromatography systems. Our valves go through meticulous quality control and 100% testing to eliminate the need for OEM pre-production inspection and validation. This rigorous quality process ensures uninterrupted manufacturing flow for OEMs plus less maintenance and lower cost of ownership for end-users. AFP is the preferred supplier for customers desiring the highest-quality chromatography valves and accessories that offer superior performance in the most challenging environments.





**AFP**

2659, boul. du Parc-Technologique  
Québec (Québec)  
G1P 4S5 Canada

+1.418.266.1247  
sales@afplifesciences.com  
<https://afplifesciences.com/>

BR\_004



Visit our website at  
[afplifesciences.com](https://afplifesciences.com)