



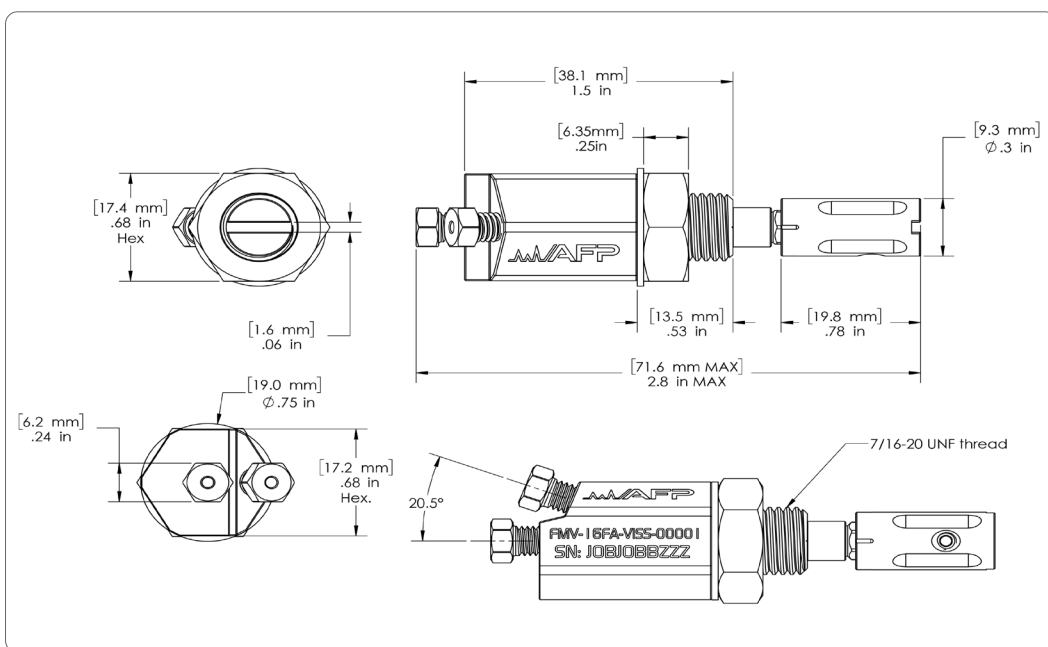
## Flow Metering Valves

The AFP needle valve was designed to provide a high resolution adjustment and sealing performance required in trace analysis.

Timing marks and screw driver compatibility on the body of this product provide the operator additional tools to achieve precise adjustment in laboratory and process gas chromatographs.

### Advantages

- Better sensitivity for smoother adjustment.
- Stability over time, less drift caused by the adjustment knob.
- Available with Dursan® coating for H<sub>2</sub>S



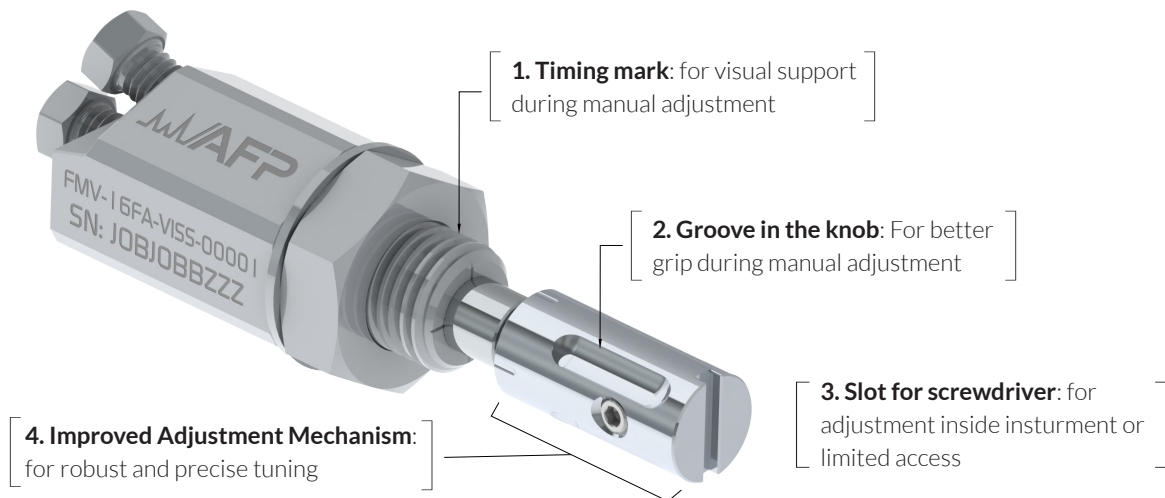
**AFP's needle valve is not designed to provide a complete shut off. Closing the needle below the guaranteed 2 cc @ 15 psi of N<sub>2</sub> could damage the product irreversibly.**



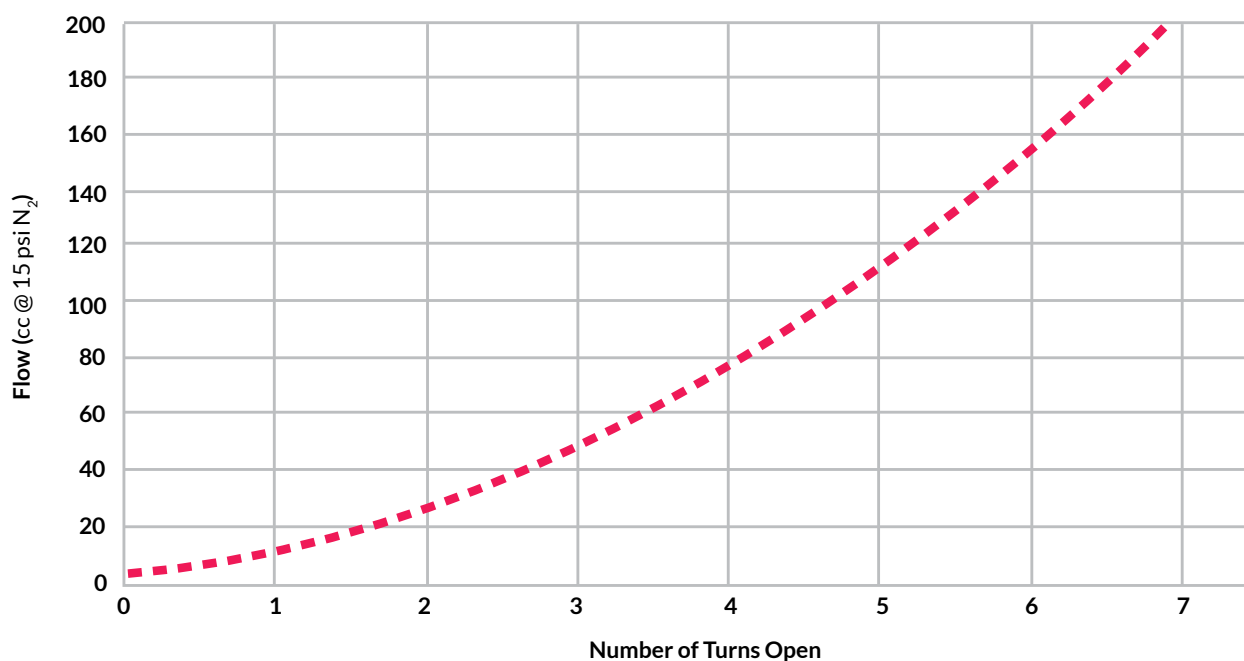
**SHOP NOW**

Visit our website at  
[afplifesciences.com](http://afplifesciences.com)

**AFP**  
 Schivo Group



Typical Flow Curve - FMV-16FA-VISS-00001



Product Description	AFP Part No	Competitor Part No
Flow Metering Valve, 1/16" fine adjustment, Viton, SS300, short nut, 10 µm frit, clear, lubricated, std configuration	FMV-16FA-VISS-00001	ZBNV1
Flow Metering Valve, 1/16" fine adjustment, Viton, Dursan® coated, short nut, 10 µm frit, clear, lubricated	FMV-16FA-VIDU-00001	N/A