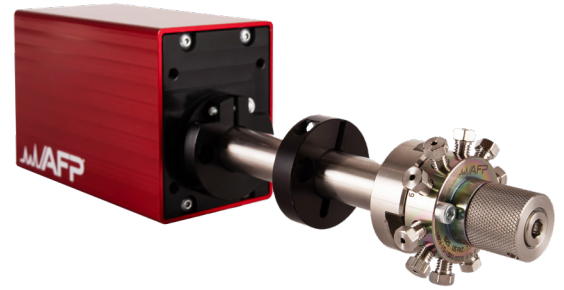


USER'S INSTRUCTIONS

for the AFP_CLIENT

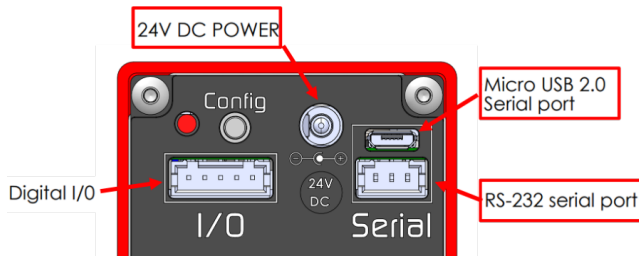


Note: This covers the use of AFP software to operate the electronic actuator for driving stream selection valves (**MEA-2100**).

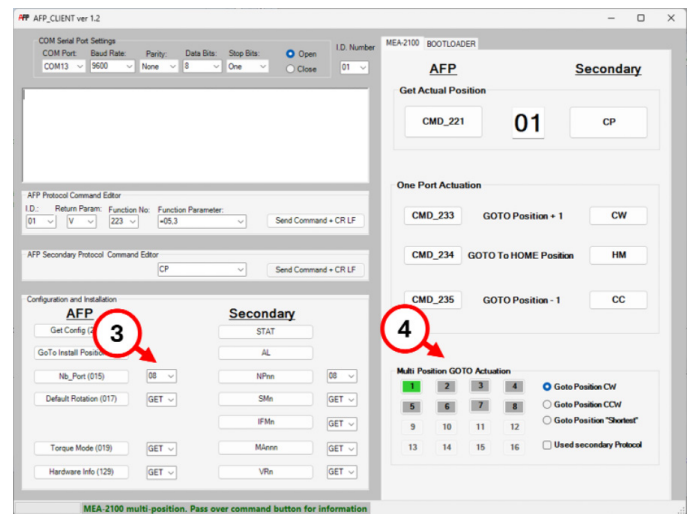
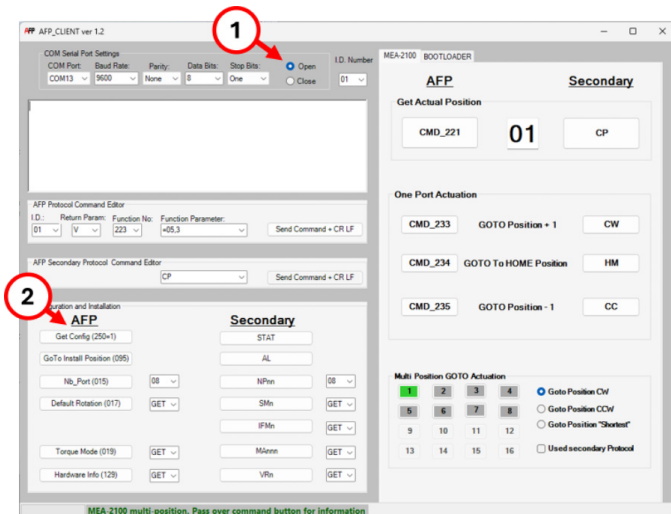
The MEA-2100 is configured standard to understand and operate using two communication protocols: **AFP** and the 'Secondary', which is based on the standard communication protocol for GC universal actuators in the market.

Operation instructions:

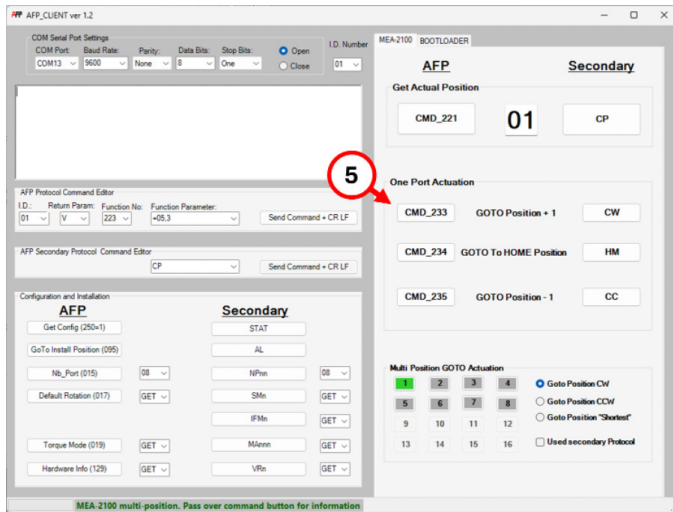
- Connect the **Power supply** (EA00-9010-1050) in the power inlet of the MEA-2100.
- Connect the **USB** (EA00-9010-1040) or the **RS-232** (EA00-9010-1020) cable on the back panel of the MEA-2100.
- **MEA-2100 is configured to drive a 8-positions stream selector** from the factory. If another number of streams is necessary for the valve use the console to configure it (3). **The available positions are 4, 8 and 16.** If another number of streams are needed, please contact AFP.
- Based on the number of ports selected, the panel on the right side of the console will react and highlight the numbers on the console (4). It is also possible to select the orientation of rotation (CW, CCW, or shortest).



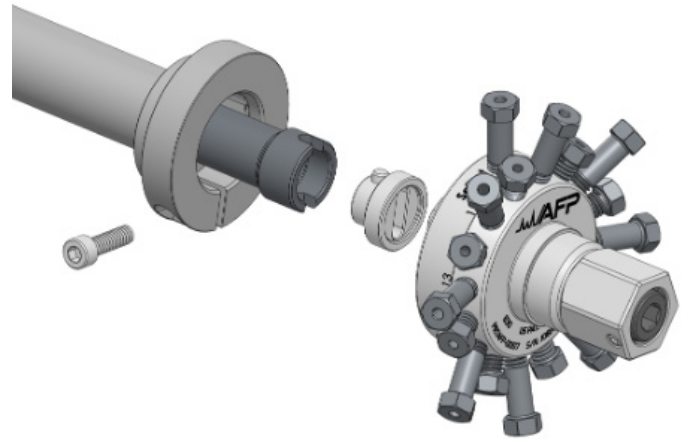
- Open port of communication in the **AFP_CLIENT** (1) and verify that communication is established requesting a 'Get Config' (2).



- Right side of the console has the standard commands, go clockwise / counterclockwise, go to HOME (5).

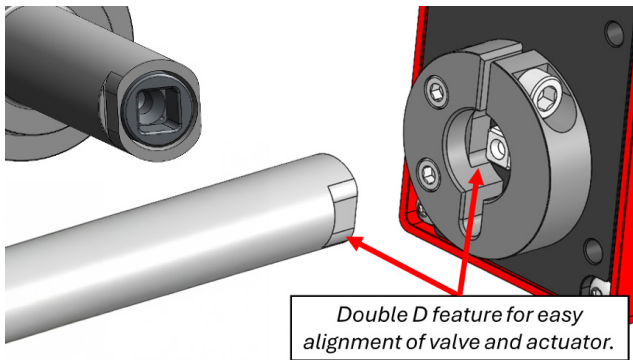


- When placing the actuator in **stream #1** or **home** position, the motor shaft of the actuator will go to a 'flat position' where the valve can be installed onto the MEA-2100. There is no need to do any extra operation once the valves are installed.



Valve installation instructions:

- The MEA-2100 uses standoffs with a mechanical alignment feature. This feature is in both the collar and the standoff for easy installation. Recommended torque for the collar screw is 25 in lb.



- AFP has available a kit to install competitor's stream selector valves: STO-VS-XX, which has different lengths of the standoffs. Please refer to your sales representative to choose the part number that suits your application.

- The stream selector valve (AFP or competition) should be aligned using the drive adaptor to the alignment feature, which also points to stream #1 in AFP valves.

